

## Features

SB-LED650MA is 3 channel LED Driver with DMX512 interface. Constant voltage with PWM output to dimming RGB LED strip for changing color

- 3 outputs for common Anode RGB LED strip and separately LEDs
- Power Input: DC10-30V
- Control Signal: DMX512
- Constant voltage with PWM output
- Built in DMX512 buffer function

## Important notes

- **DMX cable**– shielded twisted cable, less than 200m length.
- **Installation** – wall mount
- Do not support common cathode RGB LED strip
- Ensure the DMX address is correct before using

## production specification

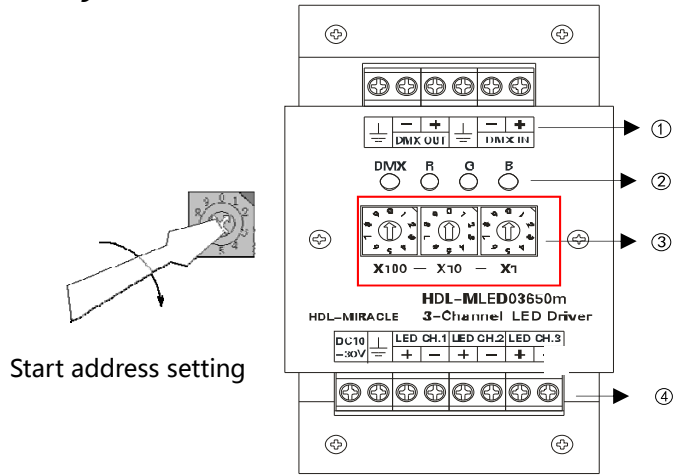
- Input power : DC10-30V
- Voltage for LED Driver : DC10-30V
- Power consumption without Load : <2W
- Output channel : 3 channel
- Max Current of Each Channel : 650mA
- Dimension : 96mm×58.5mm×22.5mm
- CE approved
- Working temperature : 0°C~45°C
- Working Relative Humidity : 20%~90%
- Storage temperature : -40°C~+55°C
- Storage Relative Humidity : 10%~93%
- IP Class: 2.0



## Safety attention

- Screw down strength is less than 0.1Nm
- Do not make wrong connection of DMX output and DMX input.
- Rain, liquid, and aggressive gas are not allowed to close to it

## layout



### ① DMX terminal

DMX IN have three terminal, data+, data- and com(⊕)  
DMX OUT buffered out for next LED driver if need

### ② LED indicator DMX,R,G,B

DMX indicator for CPU/DMX , this indicator will flash per 2 second if no DMX signal, this indicator will flash faster if this LED driver received DMX signal.

R indicator for CH.1, this indicator will turn ON if control level on CH.1 is more than 0%

G indicator for CH.2, this indicator will turn ON if control level on CH.2 is more than 0%

B indicator for CH.3, this indicator will turn ON if control level on CH.3 is more than 0%

### ③ DMX start address setting switch and special functions

There are X100, X10, X1 three switch for DMX address, X100 is the high digital, X10 is middle digital, X1 is low digital, for example :X100 is selected 2, X10 is selected 7, X1 is selected 6, so the address are 276 (100\*2 + 10\*7 + 6) , the valid address is 1-512.

**Special feature set:** by set the address out of range for some special function like testing. The list of function according to address

Address 513 output CH.3

Address 514 output CH.2

Address 515 output CH.1

Address 516 output CH.1, CH.2, CH.3

Address 517 take turns output CH.1, CH.2, CH.3

### ④ Terminal for Input power and LED output

**Power input:**10-30VDC

**LED output:** support common Anode RGB LED strip and separately LEDs

Excessive number of on-line, signal line is too long cases, may lead to weakened and can not properly receive the signal, this time by signal amplification to resolve.

DMX signal between input and output DMX signal can be directly connected by a jumper setting for the connection or through the amplification. Set by the board of six double-pin base, such as the right.

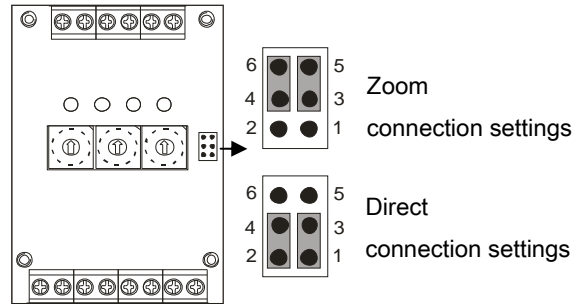
Set is as follows:

Zoom connection settings: 4 → 6 short

3 → 5 short

Direct connection settings: 2 → 4 short

1 → 3 shorted



### Wiring For Installation scalability

DMX Out: connect to other devices DMX IN

