

## Features

SB-DN-2Motor is a professional two curtains( shutters ) controller, The curtain module only can control the curtain which drive by AC motor, Each curtain have settable running time for close the AC power in case the limit switch of Curtain failed , Each channel have inching function allow clients can control the motor moving very short time, like change the angle of shutter. HDL Bus enable for controlling the curtain from Ipad, Iphone locally and internet.

- hardware/software interlock protect motor
- Settable curtain running time
- Inching control for Shutter

## Important Notes

- **Bus cable** - CAT5E or HDL Bus/KNX
- **Bus connection** - Recommend connection of Bus wire hand by hand
- **Check Connections** – Re-tighten all connections after installation.
- **Output Circuit** – The load on the switched circuits must not exceed the specified capacity of 5A, these circuits should be fed via a fuse/ circuit breaker.

## Installation Steps

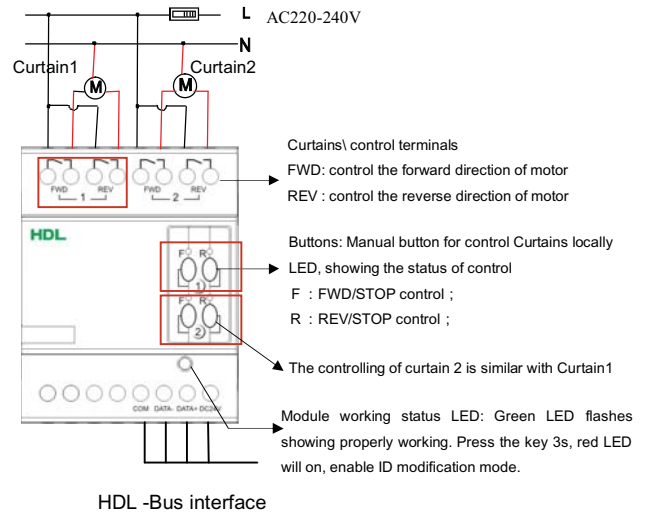
- Mount suitable fuse or MCB for AC power protection
- Labeling for AC power wires, Motor wires and HDL Bus wire
- Mount the device on a DIN rail of DB
- Make sure the current of each motor less than 5A.
- Connect wires for motor and AC power, Make sure there is no circuit short or open.
- Make sure the Bus cable type is correct and has no circuit short
- Connect bus cables. Make sure the color of wire same as definition
- Tidy the all Wire and separate Bus wire from AC power wire

## Product Specifications

- Bus Power Supply : DC24V
- Bus Power Consumption : 35mA/DC24V
- Maximum Current Per CH : 5A
- Relay life time : 60000
- AC Motor type: single-phase capacitor
- Installation: Standard 35mm DIN-Rail
- Mounting position: DB
- Dimension : 72mm×90mm×66mm
- CE and ETL approved
- Working Temperature: 0°C ~ +45°C
- Working Relative Humidity: 20% - 90%
- Storage Temperature: -40°C- +55°C
- Storage Relative Humidity: 10% - 93%
- IP Protection : IP20

## Types

### SB-DN - 2 Motor



### HDL-Bus Definition for cable

CAT5/CAT5E	Bus	HDL Bus/KNX Cable
Brown White/ Orange White	COM	Black
Blue White /Green White	DATA-	White
Blue/Green	DATA+	Yellow
Brown/ Orange	DC24V	Red



WARNING

## Safety Attention

- For safety, we recommend a proper fuse or MCB to be connected to each circuit.
- The tightening torque do not exceed 0.4Nm,
- Power cable require( Curtain Motor) : 0.75mm<sup>2</sup> to 4mm<sup>2</sup> wire.
- Do not connect the motor that the current exceed 5A when full load.
- Mounting position: DB
- Do not make wrong connection on Bus interface, it will damage the Bus interface
- Avoid the rain or water into module, it will damage this devices
- Do not get AC220V voltage into Bus wire , it will damage all of devices in system
- Do not use this module to control DC curtain motor